

THEO
by
bürotime

technical document



THEO



Ece Yalım - Oğuz Yalım

“We created Theo by using geometric forms and lines together, influenced by the De Stijl art movement that embrace the concepts of “harmony and order”. We materialized intellectual depth with an amazing harmony among simple forms, and represented an utopian harmony.”

Theo executive desk reflects the weight of wood to the executive rooms while adding elegance to the environment with its details built on plain forms and its eclectic structure.



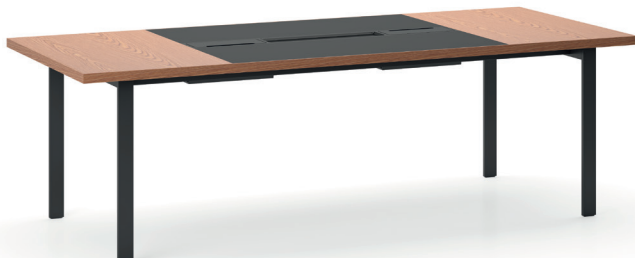
The glass-covered, integrated unit next to the table allows the user to display items that nourish his collector spirit and creates private spaces where he expresses himself and connects with the working environment.

product family _____

table



meeting table



product family _____

cabinet



cabinet with glass



credenza



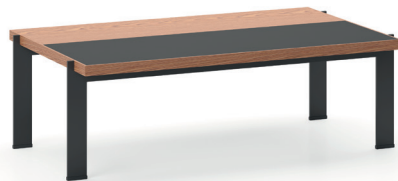
high cabinet



high cabinet with glass door



coffee table



size chart

table - left

W 98 L 240 / 270 H 78

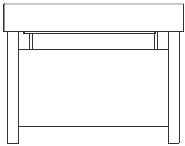
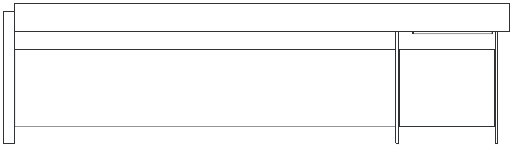
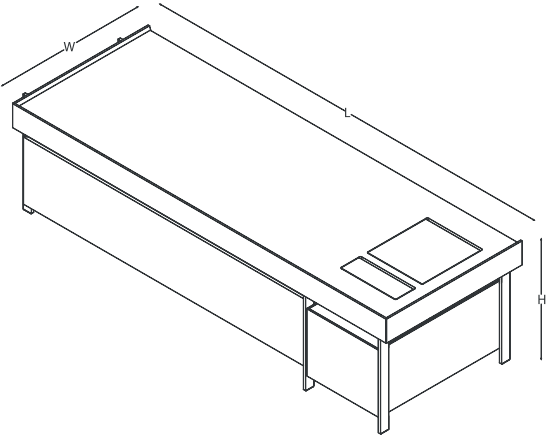
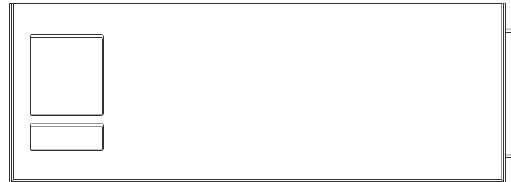
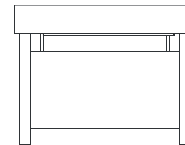
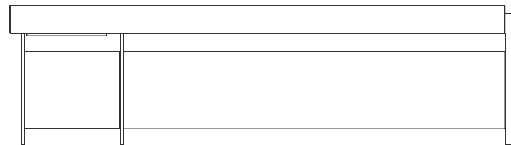
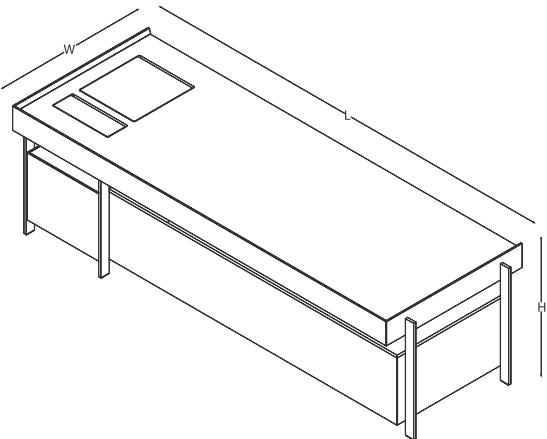


table - right

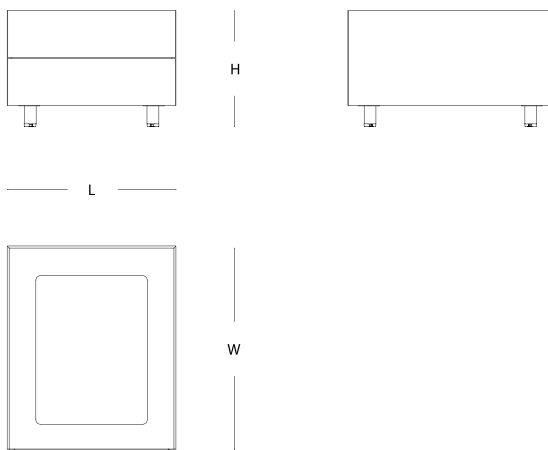
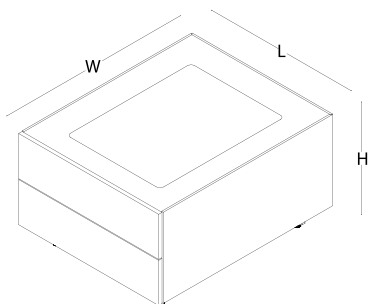
W 98 L 240 / 270 H 78



size chart

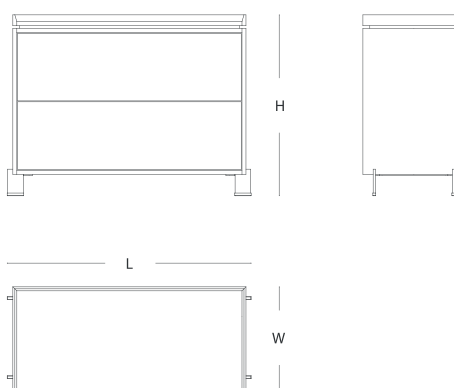
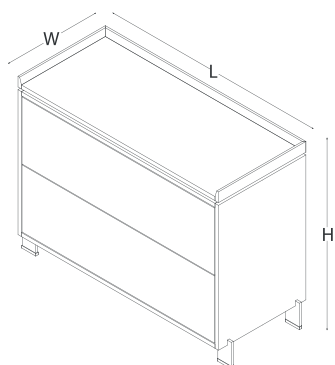
cabinet with glass - two drawers

W 92,4 L 75 H 51,5



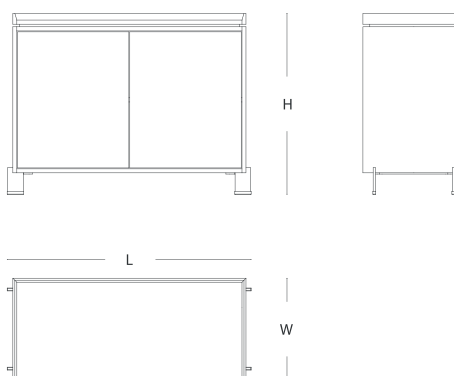
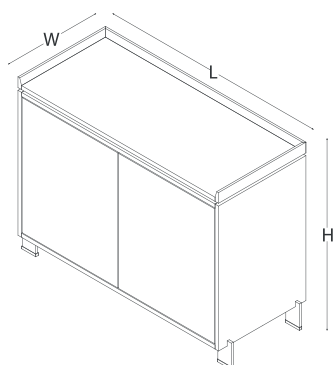
cabinet - two drawers

W 45 L 108 H 78



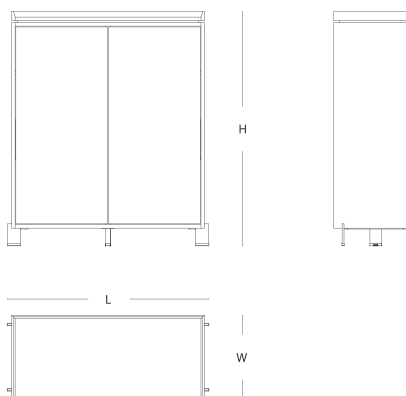
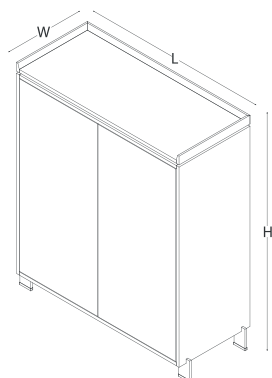
credenza

W 45 L 108 H 78



high cabinet / high cabinet with glass door

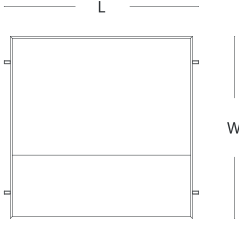
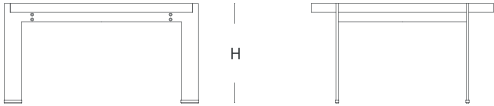
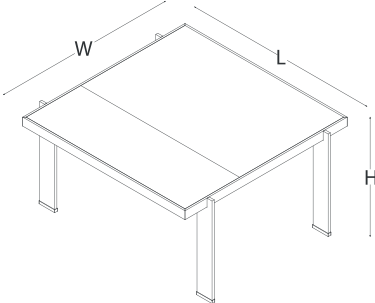
W 45 L 108 H 125,5



size chart

coffe table

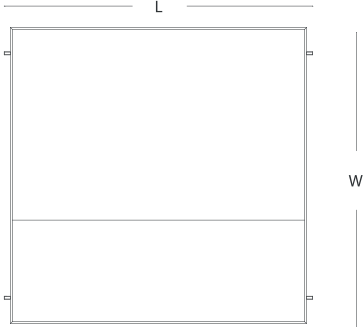
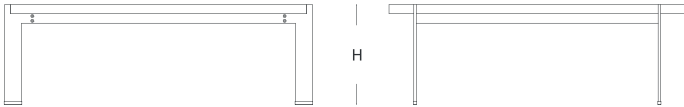
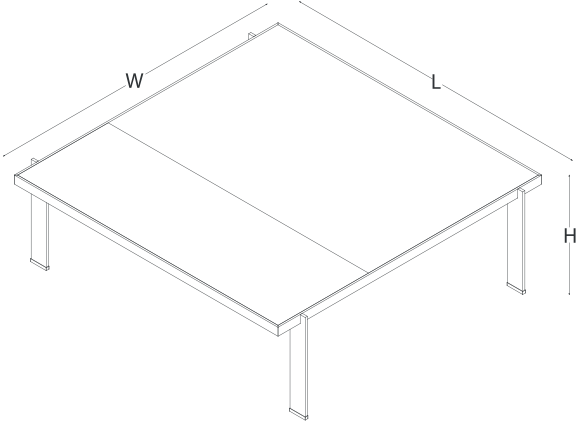
W 75 L 80



coffe table

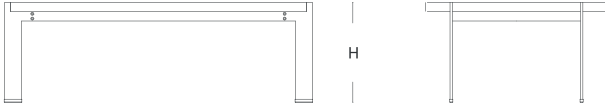
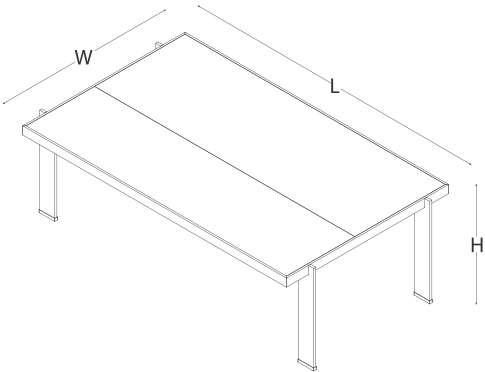
W 120 L 125

H 41



coffe table

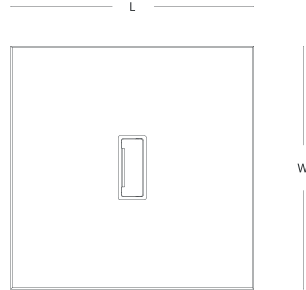
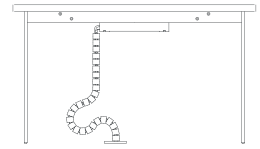
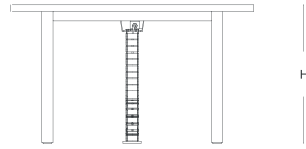
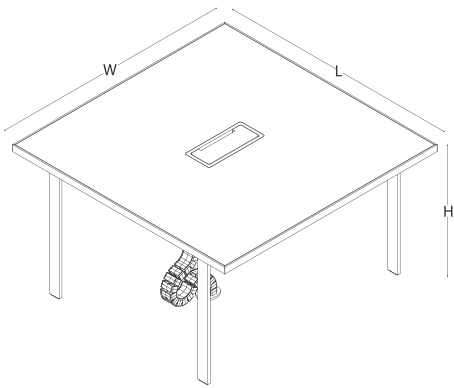
W 75 L 125



size chart

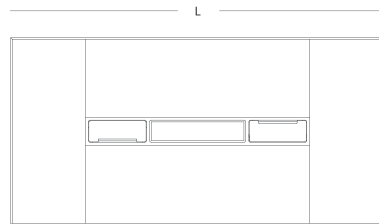
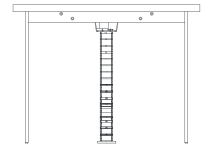
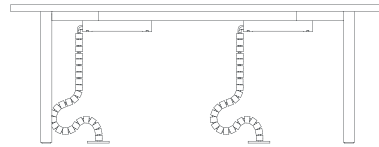
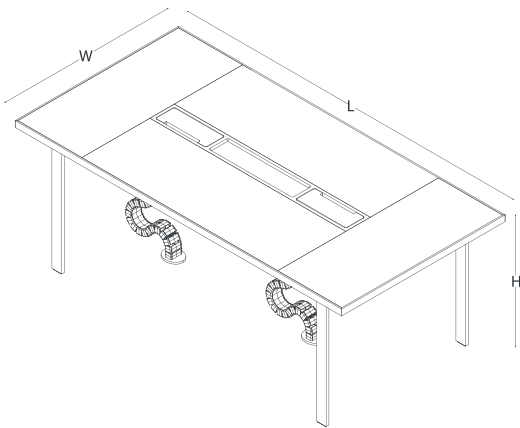
meeting table

W 130 L 130



meeting table

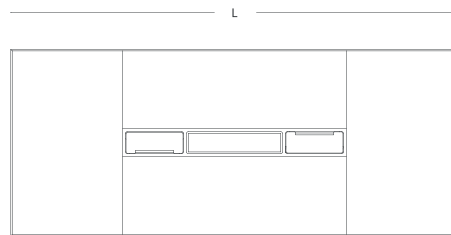
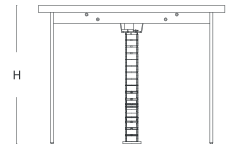
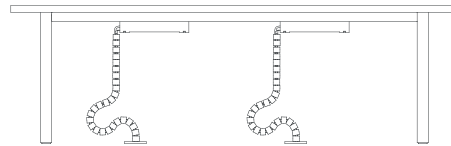
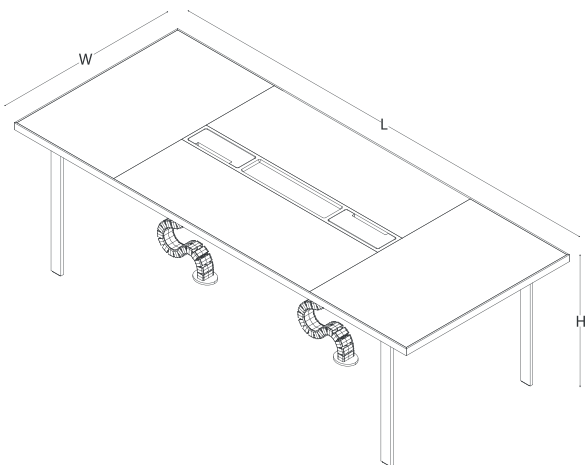
W 100 L 200



H 74

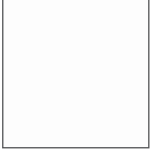
meeting table

W 100 L 240



color options _____

lacquer (table top, top, door, cable management)



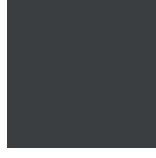
white



grey



sand



anthracite

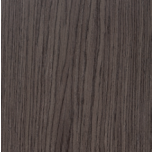


black

wood veneer (meeting table top - body)



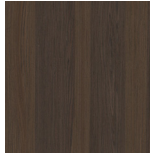
american walnut



titanium oak

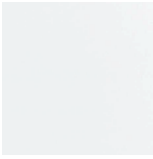


lime oak



canyon

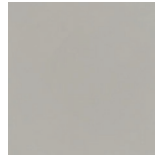
metal (leg)



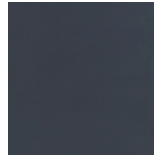
white



grey



sand



anthracite



black